



Meccanica

CREMONINI

SPRINKLERS AND ACCESSORIES

CATALOGUE 2025



The story



We are proud to share our story, which began back in 1906. Founded as a small artisan workshop, we started out as blacksmiths, a traditional craft that required skill, dedication, and a deep respect for materials and manual work. Since then, while remaining a family-owned and small-sized business, we have grown into a fifth-generation company, preserving the craftsmanship and attention to detail that have always set us apart. Over the generations, our company has adapted to market demands, integrating modern technologies without ever losing sight of the essence

of artisan work. Our experience and passion have allowed us to face the challenges of time, staying true to our roots while always looking to the future. Today, just as in the past, we put our heart into every project, offering tailor-made solutions for our clients with the same care and dedication that our founders applied to their work over a century ago. We are more than just a company: we are a family story that has continued for five generations, with the passion of those who believe that every detail makes a difference.

We build with passion



Meccanica Cremonini is a benchmark in the design and production of motor pumps and electric pumps, destined for a wide range of applications in the agricultural, industrial, and construction sectors. With decades of experience in the field, we also support civil protection and emergency response activities, offering certified and approved solutions designed to withstand the most critical conditions, thanks to the use of high-quality centrifugal and self-priming pumps. Our commitment goes beyond mere production: we manufacture over 90% of the components in-house, ensuring direct control over every phase of the process,

from design to final construction. This allows us to combine the tradition of Italian craftsmanship with technological innovation, developing products that meet the highest quality and regulatory standards. We also offer a complete and prompt after-sales service, ensuring maximum customer satisfaction and a long operational life for our machines. Our mission is to bring the value of Made in Italy to the world, offering custom solutions that stand out for their reliability, durability, and superior performance, while responding flexibly to the demands of an ever-evolving market.

WHAT YOU CAN FIND WITH US

INDUSTRY

- Design and engineering of machines with technical documentation
- Construction and installation of machinery
- Construction and installation of small and medium-sized metal structures
- Plant maintenance
- Sheet metal cutting and bending
- Machining with machine tools

AGRICULTURE

- Irrigation motor pumps, anti-frost pumps, slurry pumps, fertigation pumps, micro-irrigation pumps
- Motor clutches for dryers, vertical pumps, mills, crushers
- Irrigation electric pumps
- Combined units (for dual use)
- Pump bases
- Sprinklers (our production and multi-brand)
- Filtration systems
- Irrigation accessories
- Pump and sprinkler repair
- Vertical pump installation
- Agricultural machinery maintenance

CONSTRUCTION - CIVIL PROTECTION


- Self-priming motor pumps for dirty water and solids
- Generator sets
- Firefighting booster sets
- Light towers
- Emergency response machines
- Combined units (for dual use)
- Outfitting of trailer carts
- Emergency accessories


All machines are supplied with the corresponding technical documentation, user and maintenance manual, and comply with EU directives.





MEDIUM AND HIGH FLOW RATE SPRINKLERS


WATER SPRINKLER			
IDEAL 60 DOUBLE JET	05297	140X47X28	15 KG
IDEAL 80 DOUBLE JET	05298	140X47X28	15 KG
IDEAL 100 DOUBLE JET	05299	140X47X28	15 KG
IDEAL 120 DOUBLE JET	05300	140X47X28	15 KG
-	-	-	-


SINGLE-JET FERTIGATION IRRIGATOR			
IDEAL FERT 60 SINGLE JET	05301	137X32X52	15 KG
IDEAL FERT 80 - SINGLE JET 100°	05302	137X32X52	15 KG
IDEAL FERT 80 SINGLE JET	05303	137X32X52	15 KG
IDEAL FERT 100 - SINGLE JET 100°	05304	137X32X52	15 KG
IDEAL FERT 100 SINGLE JET	05305	137X32X52	15 KG

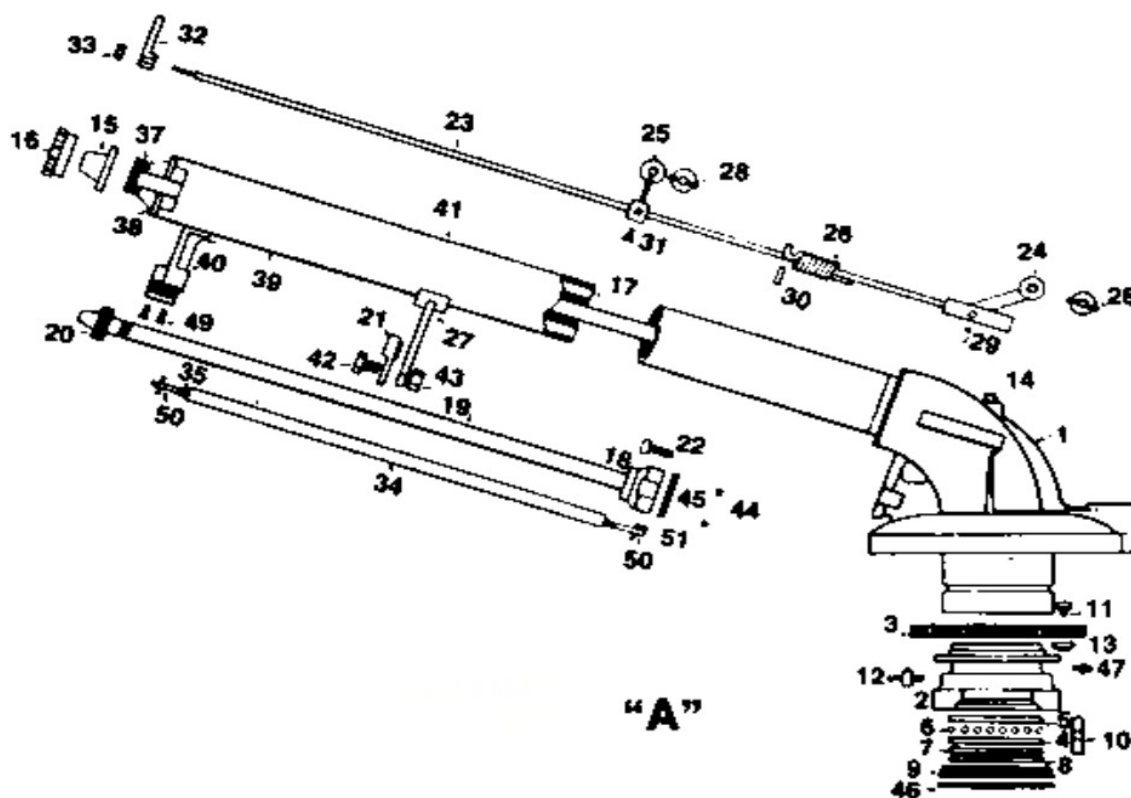
ACCESSORIES

FLANGES WITH SPHERICAL CONNECTION			
WITH THREADED SHANK AND ATTACHMENTS	05306	20X15X15	1 KG
IN ALUMINIUM FOR IDEAL 80 AND IDEAL 100	05307	20X15X15	1 KG
IN ACCIAIO PER IDEAL 120	05308	20X15X15	1 KG
BIFLANGED FOR APPLICATION ON SELF-PROPELLED UNITS WITH COIL FOR IDEAL 80 AND IDEAL 100	05309	20X15X15	1 KG

BUSHING BRONZE			
IDEAL 60		04288	
IDEAL 80		04333	
IDEAL 100		04378	
IDEAL 120		04423	

CROSS JOINT COVER			
FOR IDEAL FERT 60 (34/A+18/C)		04494	
FOR IDEAL FERT 80 (34/A+18/C)		04495	
FOR IDEAL FERT 100 (34/A+18/C)		04496	
FOR IDEAL FERT 120 (34/A+18/C)		04497	
-		-	
-		-	
-		-	
-		-	

TURNED NOZZLES TO MEASURE			
IDEAL 60		04259	
> 20		04845	
IDEAL 80		04304	
> 28		04846	
IDEAL 100		04349	
> 34		04847	
IDEAL 120		04394	
> 40		04848	



CODE			DESCRIPTION	NOTES
1/A	1		CURVE	▲
2/A	1		BUSH	●
3/A	1		THOOTHED TING	●
4/A	1		INOX INFERIOR RING	○
5/A	1		INOX UPPER RING	○
6/A	1		INOX BALL	○
7/A	1		SEALING RING	○
8/A	1		SPEACER RING	○
9/A	1		"U" GASKET	○
10/A	4		12M STUD	●
11/A	4		TEI SCREW	●
12/A	2		REVERSING STOP	●
13/A	2		HEXAGON PLATE	●
14/A	1		1/4" CAP	▲
15/A	4		MOUTH PIECE	○
16/A	1		RING	▲

NOTES:

▲■● The item can't be supplied singularly or the warranty can't be valid

- The replacement of the parts in the notes are suggested

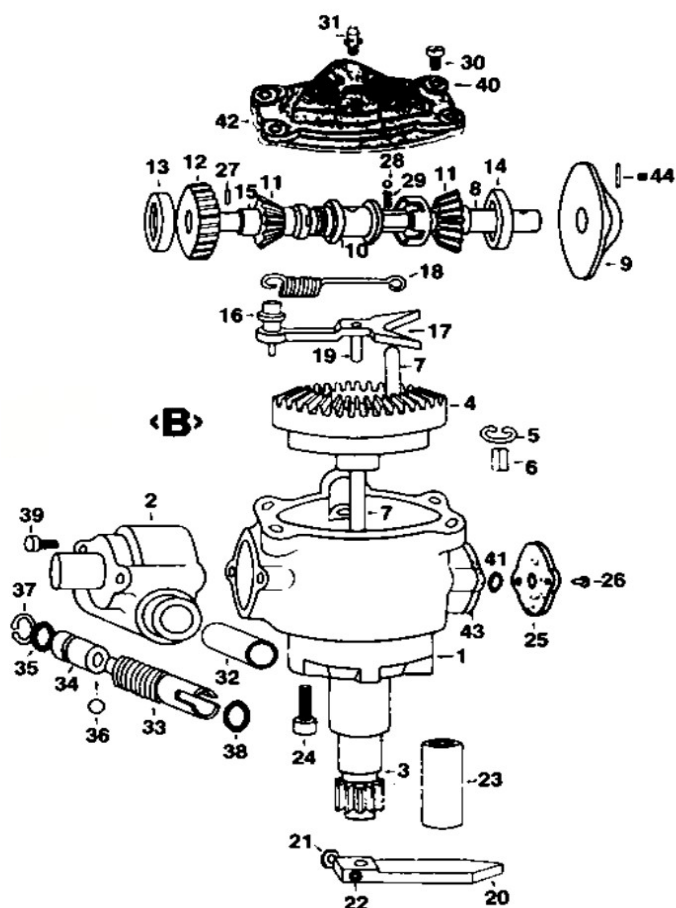
○ this item can be sold singularly



CODE		DESCRIPTION	NOTES
17/A	1	HOSE SUPPORT	▲
18/A	1	FLANGE	○
19/A	1	JET PIPE	○
20/A	1	MOUTH PIECE	○
21/A	1	REGULATOR CLAMP FOR JET PIPE	○
22/A	2	TCEI SCREW	○
23/A	1	JET BREAKER ROD	■
24/A	1	JET BREAKER LEVER	■
25/A	1	FIXED JET BREAKER LEVER	■
26/A	1	JET BREAKER SPRING	■
27/A	1	SUPPORT FOR JET PIPE	▲
28/A	2	JET BREAKER REGULATOR	■
29/A	2	M6 GRAIN	■
30/A	1	PIN - DIAM 6	■
31/A	2	M6 GRAIN	■
34/A	1	CARDAN COVER HOSE	○
35/A	1	CARDAN	○
37/A	1	JET CONE	▲
38/A	1	JET BREAKER ROD SUPPORT	▲
39/A	1	JET HOSE	▲
40/A	1	SUPPORT FOR FAN BOX	▲
42/A	1	TCEI SCREW	○
43/A	1	M10 NUT	○
45/A	1	RUBBER GASKET FOR JET	○
46/A	1	PLATE GASKET FOR BUSH BASE FRAME	○
47/A	1	GREASER	●
49/A	2	ALLEN SCREW 6X20	▲
51/A	2	CARDAN PIN	○

NOTES:

- ▲■● The item can't be supplied singularly or the warranty can't be valid
- The replacement of the parts in the notes are suggested
- this item can be sold singularly



CODE		DESCRIPTION	NOTES
1/B	1	BODY PART	■
2/B	1	REDUCER BODY PART	●
3/B	1	THOOTED PINION	○
4/B	1	THOOTED RING	○
5/B	1	SEALING RING	○
6/B	1	KEY	○
7/B	1	REVERSAL LEVER	○
8/B	1	HEXAGON SHAFT	▲
9/B	1	CAM	○
10/B	1	RATCHET WHEEL	▲
11/B	2	ROCKET GEAR	▲
12/B	1	HELICAL FLANGE	▲
13/B	1	BEARING	▲
14/B	1	BEARING	▲

NOTES:

▲■● The item can't be supplied singularly or the warranty can't be valid

- The replacement of the parts in the notes are suggested

○ this item can be sold singularly



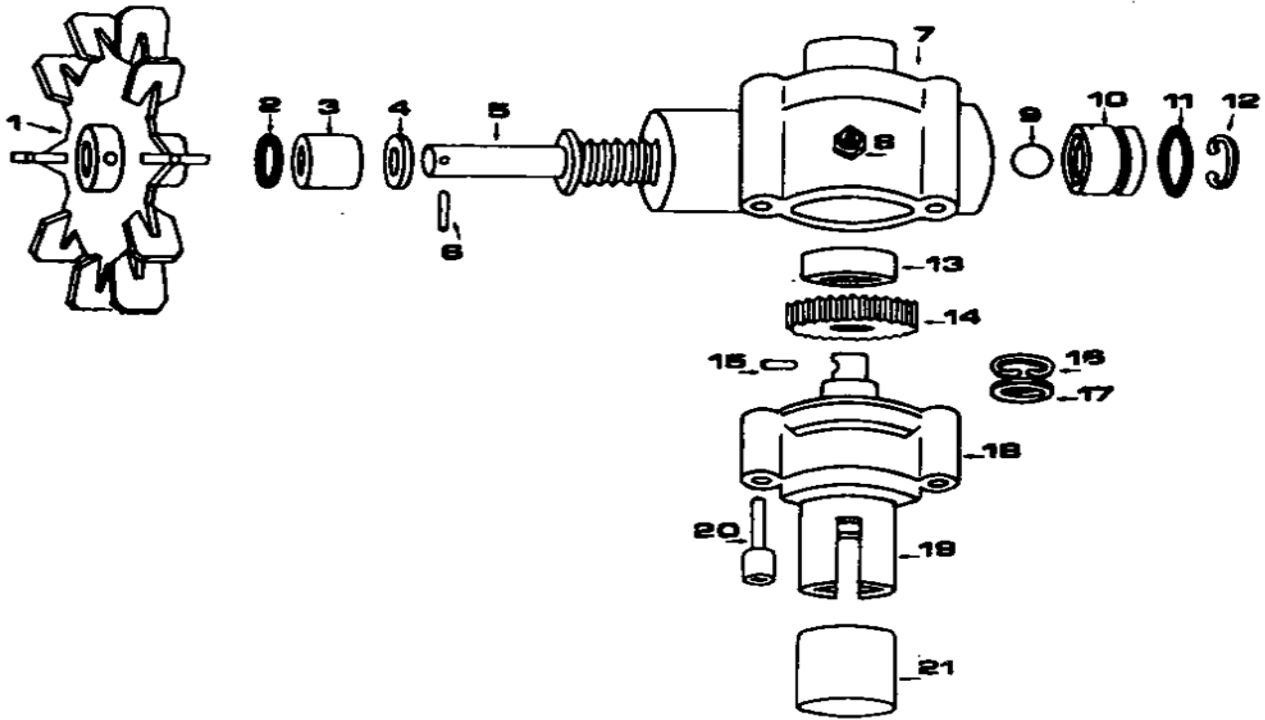
CODE		DESCRIPTION	NOTES
15/B	1	SPACER	▲
16/B	1	FORK PIN	○
17/B	1	FORK PIN	○
18/B	1	REVERSAL SPRING	○
19/B	1	FORK SCREW	○
20/B	1	SPLINE	○
21/B	1	ALLEN SCREW	○
22/B	1	NUT M6	○
23/B	1	SLEEVE BEARING FOR REVERSAL BOX	■
24/B	2	ALLEN SCREW	○
25/B	1	LATERAL CAP	○
26/B	2	SCREW M6	○
27/B	1	PIN	▲
28/B	2	RATCHET WHEEL	▲
29/B	2	PUSH BALL	▲
30/B	4	NUT M6	○
31/B	1	GREASER	○
32/B	1	BUSH FOR REDUCER BOX	●
33/B	1	ENDLESS SCREW	●
34/B	1	THRUST BEARING BUSH	●
35/B	1	SEALING OR	●
36/B	1	INOX BALL	●
37/B	1	SEALING RING	●
38/B	1	SEALING OR	●
39/B	2	ALLEN SCREW	●
40/B	1	UPPER CAP	○
41/B	1	SEALING OR	○
42/B	1	GASKET FOR UPPER CAP	○
43/B	1	GASKET FOR LATERAL CAP	○
44/B	1	ELASTIC PIN	○
-	1	COMPLETE TABLE B	

NOTES:

▲■● The item can't be supplied singularly or the warranty can't be valid

- The replacement of the parts in the notes are suggested

○ this item can be sold singularly



CODE		DESCRIPTION	NOTES
1/C	1	PROPELLER - IDEAL 60	○
2/C	1	SEALING OR	▲
3/C	1	BUSH	▲
4/C	1	THRUST WASHER	▲
5/C	1	ENDLESS SCREW	▲
6/C	1	ELASTIC PLUG	▲
7/C	1	BODY	▲
8/C	1	GREASER	▲
9/C	1	STAINLESS STEEL BALL AS ITEM 36/B	▲
10/C	1	CAP BUSH	▲
11/C	1	SEALING OR	▲
12/C	1	SEALING RING	▲
13/C	1	RADIAL BEARING	▲
14/C	1	HELIX FLANGE	▲
15/C	1	PIN	▲
16/C	1	SEALING RING	▲
17/C	1	SPACER	▲
18/C	1	BOX CAP	▲
19/C	1	PIN	▲
20/C	1	ALLEN SCREW	▲
21/C	2	CAP BUSH	▲
-	1	CARDAN COVER HOSE FOR IDEAL FERT	
-	1	COMPLETE TABLE C FOR I80-100-120	
-	1	COMPLETE TABLE C FOR IDEAL FERT	

NOTES:

▲● The item can't be supplied singularly or the warranty can't be valid

- The replacement of the parts in the notes are suggested

○ this item can be sold singularly



WWW.MECCANICACREMONINI.IT



ASSISTANCE +39 351-7504418



YOUR OPINION COUNTS! SCAN AND
LEAVE US A REVIEW



Headquarter : Via Cadè, 14
46037 Cadè di Roncoferraro (MN) - ITALIA
Tel. +39 0376229122